

# MASTER DRAWING LIST

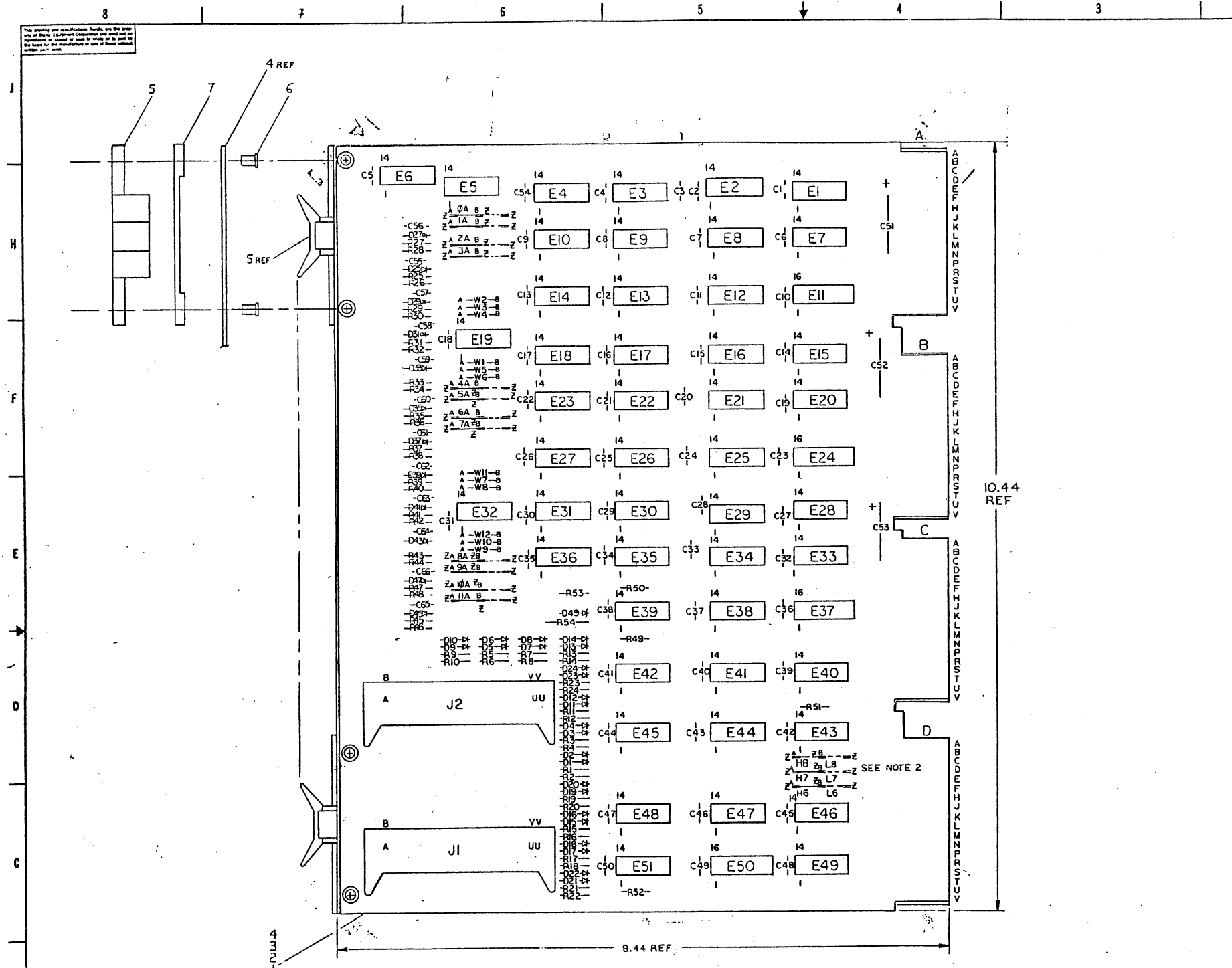
This drawing and specifications, herein, are the property of Digital Equipment Corporation and shall not be reproduced or copied in whole or in part as the basis for the manufacture or sale of items without written permission.

DWG. NO.	REV. LET.	NO. OF SHEETS	TITLE
A-PL-DR8-EA-0	C	1	12 BIT DIGITAL I/O (DR8-EA)
E-CS-M863-0-1	#	2	12 BIT BUFFERED DIGITAL I/O
A-SP-DR8-EA-1	REF	12	ENGINEERING SPECIFICATIONS
A-SP-DR8-EA-2	REF	6	ACCEPTANCE SPECIFICATIONS
A-AL-DR8-EA-3		1	ACCESSORY LIST (DR8-EA)

REVISIONS				DRN. D. CRABBE	DATE 4/7/71	<b>digital</b> EQUIPMENT CORPORATION <small>MAYNARD, MASSACHUSETTS</small>									
REV.	DATE	CHG. NO.	APP'D.	CHK'D.	DATE										
A	5/71	DR8E-1	G.B.	<i>D. K. Goble</i>	4-28-71	TITLE 12 BIT DIGITAL I/O (DR8-EA)									
B	11/71	DR8E-2	A.W.	<i>D. K. Goble</i>	4-28-71										
C	11/71	DR8E-3	A.W.	<i>D. K. Goble</i>	4-28-71										
D	1/72	LAB8E-13	G.B.	<i>D. K. Goble</i>	4-29-71										
FIRST USED ON				PROD.	DATE	<table border="1" style="width: 100%;"> <tr> <td>SIZE</td> <td>CODE</td> <td>NUMBER</td> <td>REV.</td> </tr> <tr> <td>LAB8-E</td> <td>A ML</td> <td>DR8-EA</td> <td>D</td> </tr> </table>		SIZE	CODE	NUMBER	REV.	LAB8-E	A ML	DR8-EA	D
SIZE	CODE	NUMBER	REV.												
LAB8-E	A ML	DR8-EA	D												
SCALE				SHEET 1 OF 1	DIST.										



NOTES:  
 1. UNLESS OTHERWISE NOTED:  
 CAPACITORS ARE .01μF, 100V, 20% DISC  
 DIODES ARE D664  
 RESISTORS ARE 1/4W 5%  
 2. JUMPERS LG, L7 AND L8 ARE OPTIONAL



ITEM NO	AWG	PT	TO PT	ITEM NO	AWG	FROM PT	TO PT
30831	22	W3-A	W3-B	30831	22	W12-A	W12-B
30831	18	W2-A	W2-B	30831	22	W11-A	W11-B
30831	18	W1-A	W1-B	30831	22	W10-A	W10-B
30	18	H8-A	H8-B	30831	22	W9-A	W9-B
30	18	H7-A	H7-B	30831	22	W8-A	W8-B
30	18	H6-A	H6-B	30831	22	W7-A	W7-B
30	18	H5-A	H5-B	30831	22	W6-A	W6-B
30	18	H4-A	H4-B	30831	22	W5-A	W5-B
30	18	H3-A	H3-B	30831	22	W4-A	W4-B
30	18	H2-A	H2-B	30831	22	W3-A	W3-B
30	18	H1-A	H1-B	30831	22	W2-A	W2-B
30	18	H0-A	H0-B	30831	22	W1-A	W1-B
30	18	H0-A	H0-B	30831	22	W1-A	W1-B

AF1, AN1, AT1, AC2, AF2, AN2  
 AT2, BC1, BF1, BN1, BT1, BC2  
 BF2, BN2, BT2, CC1, CF1, CN1  
 CT1, CC2, CF2, CN2, CT2, DC1  
 DF1, DN1, DT1, DC2, DF2, DN2, DT2

AA2, BA2, CA2 +5V  
 C1 THRU C50

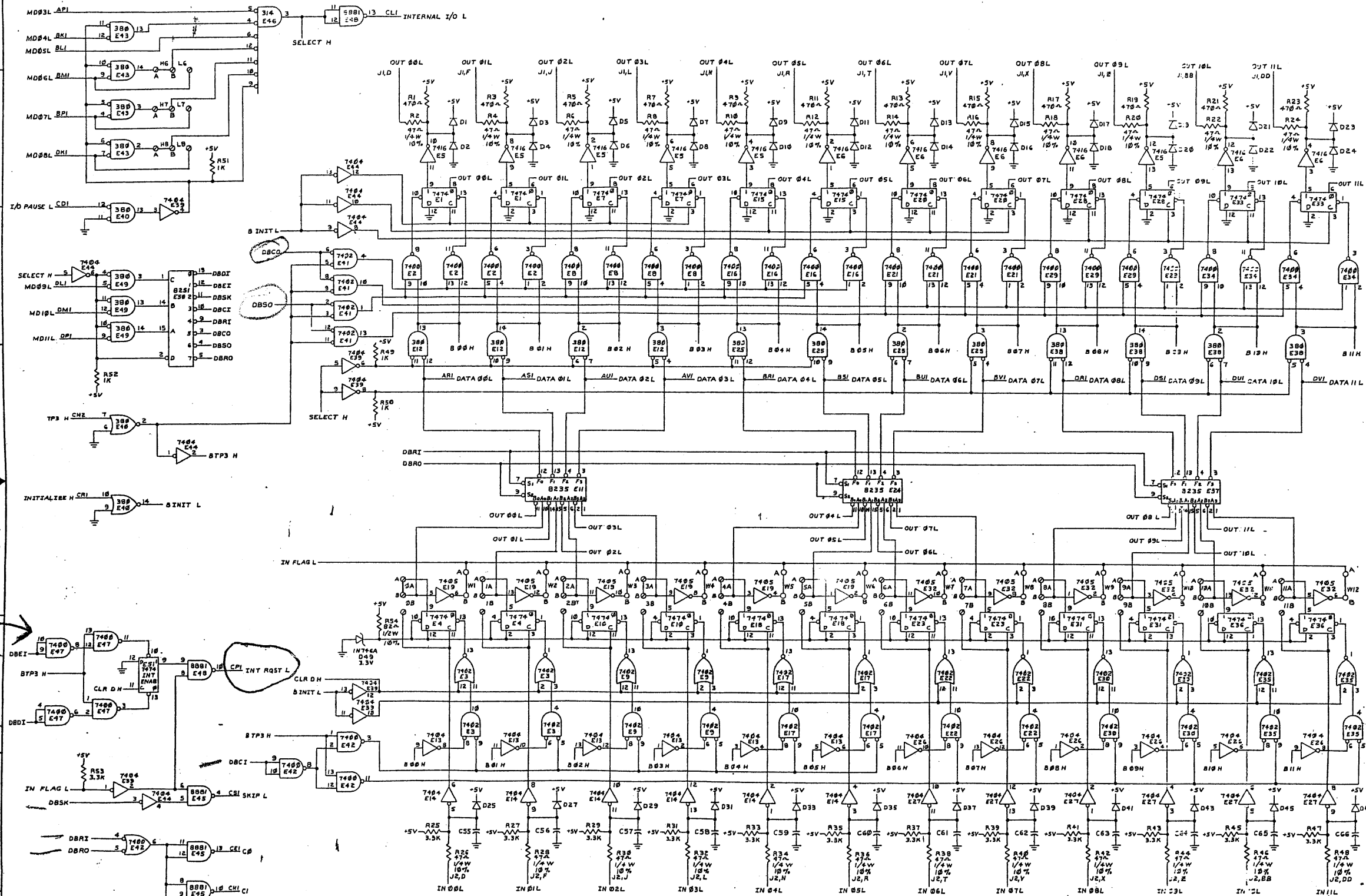
*10 E48*  
*CP1*

QTY	DESCRIPTION	PART NO.	ITEM NO.
45	SPLIT LUGS	9006735	33
12	C55 THRU C66	CAP .820PF 100V 5% DM	1000027
AR		WIRE BUSSING #22 AWG	9107560-01
2	J1, J2	CONNECTOR 40PIN BERG	1209941
AR		TEF. ON TUBING	9107265
36	D1 THRU D25, D27, D29 D31, D33, D35, D37, D39 THRU D41, D43, D45, D47	DIODE D664	1100114
1	D45	DIODE 1N746A 3.3V 5%	1104860
51	C1 THRU C50, C54	CAP .01μF 100V 20% DISC	1001610
3	C51, C52, C53	CAP 6.8μF 35V 10%	1005306
24	R2, R4, R6, R8, R10, R12, R14, R16 R18, R20, R22, R24, R26, R28 R30, R32, R34, R36, R38, R40 R42, R44, R46, R48	RES 47 1/4W 10%	1300204
1	R54	RES 82 1/2W 10%	1300225
4	R49, R50, R51, R52	RES 1K 1/4W 5%	1300365
13	R25, R27, R29, R31, R33, R35 R37, R39, R41, R43, R45, R47, R49	RES 3.3K 1/4W 5%	1300439
12	R1, R3, R5, R7, R9, R11, R13 R15, R17, R19, R21, R23	RES 470 1/4W, 5%	1300316
13	E1, E3, E5, E7, E9, E11, E13, E15 E17, E19, E21, E23, E25, E27, E29 E31, E33, E35, E37	IC DEC 7474	1905547
8	E2, E4, E6, E8, E10, E12, E14, E16 E18, E20, E22, E24, E26, E28 E30, E32, E34, E36, E38, E40 E42, E44, E46, E48, E50	IC DEC 7400	1905575
17	E3, E9, E17, E25, E33, E41, E49	IC DEC 7402	1909004
6	E12, E20, E28, E36, E44, E52	IC DEC 380	1909485
1	E50	IC DEC 8251	1909594
6	E13, E19, E27, E35, E43, E51	IC DEC 7404	1909686
11	E4, E10, E18, E26, E34, E42, E50	IC DEC 314	1909704
2	E45, E46	IC DEC 8881	1909705
2	E5, E6	IC DEC 7416	1909928
2	E19, E32	IC DEC 7405	1909930
3	E11, E24, E37	IC DEC 8235	1909935
45		SPLIT LUGS	9006735
7		SPACER (CABLE CLAMP)	1202704
8		EYELET .654-11 STIMPSON	9006750
4		WASHER (FLIP CHIP)-MAGENTA	9008337-06
1		ETCHED CIRCUIT BOARD	5009339
REF		MODULE ECO HISTORY	8-MH-MB63-4-3
REF		ASSY/DRILLING HOLE LAYOUT	D-MH-MB63-4-3
REF		X-Y COORDINATE HOLE LOC	K-CO-MB63-4-3

DATE	BY	DESCRIPTION	REV
11-1-71	WALLACE	WALLACE	1
11-15-71	WALLACE	WALLACE	2
11-15-71	WALLACE	WALLACE	3
11-15-71	WALLACE	WALLACE	4
11-15-71	WALLACE	WALLACE	5
11-15-71	WALLACE	WALLACE	6
11-15-71	WALLACE	WALLACE	7
11-15-71	WALLACE	WALLACE	8
11-15-71	WALLACE	WALLACE	9
11-15-71	WALLACE	WALLACE	10
11-15-71	WALLACE	WALLACE	11
11-15-71	WALLACE	WALLACE	12

SEMICONDUCTOR CONVERSION CHART  
 SHEET 2 OF 2

This drawing and associated hardware are the property of Digital Equipment Corporation and shall not be reproduced in whole or in part without the express written permission of Digital Equipment Corporation.



2nd on top side

QTY.	DESCRIPTION	PART NO.	ITEM NO.
	PDP-8/E		
	UNLESS OTHERWISE SPECIFIED BY NOTES		
	DATE: 1-19-71	DATE: 7-1-71	DATE: 9/1/71
	DESIGNED BY: [Signature]	CHECKED BY: [Signature]	DATE: 10/22/72
	MATERIAL: [Blank]	SCALE: NONE	SCALE: NONE
	<b>12 CHANNEL BUFFERED I/O</b> <b>DR8-EA</b>		
	123000	1153	1153

DIGITAL EQUIPMENT CORPORATION  
MAYNARD MASSACHUSETTS

ACCESSORY LIST

MADE BY K.Symes DATE 12-17-71	CHECKED M. Lawrence DATE 12/21/71	SECTION	PA PAPER TAPE ASCII
ENG J. Erdman DATE 12-17-71	PROD Paul J. Myers DATE 1/4/72	ISSUED SECT.	PB PAPER TAPE BINARY PM PAPER TAPE READ-IN-MODE

LEGEND

QUANTITY / VARIATION

ITEM NO.	DWG NO. / PART NO.	DESCRIPTION	1	2	3	4	5	6	7	8	9	10	11	12	13	14	15	16	KIT CHECK	BY	DATE	INSTALLATION CHECK	BY	DATE
1	M863	12 Channel Digital I/O Module	1																					
2	BC08S-1	1 foot I/O Cable	1																					
3	BC08J-10	10 foot Cable	2																					
4	DR8-EA	DR8-EA Print Set	1																					
5	LAB8-E	LAB8-E Print set	1																					
6	MAINDEC 8E-D00A-AB	DR8-EA Diagnostic - Binary Tape	1																					
7	MAINDEC 8E-D00A-DL	DR8-EA Diagnostic - Document	1																					
8	DEC-LB-HRZA-D	LAB8-E User's Handbook	1																					
9	DEC-LB-HXZA-D	LAB8-E Maintenance Manual	1																					
		NOTE: When item 8 or 9 is temporarily waived,																						
		ship the following:																						
	A-SP-DR8EA-1	DR8E Engineering Specification	1																					
	A-SP-DR8EA-2	DR8E Acceptance Procedure	1																					

TITLE DR8-EA Accessory List	ASSY. NO.	SIZE CODE A AL	NUMBER DR8-EA-3	REV.	ECO NO
	SHEET 1 OF 1	DIST.			