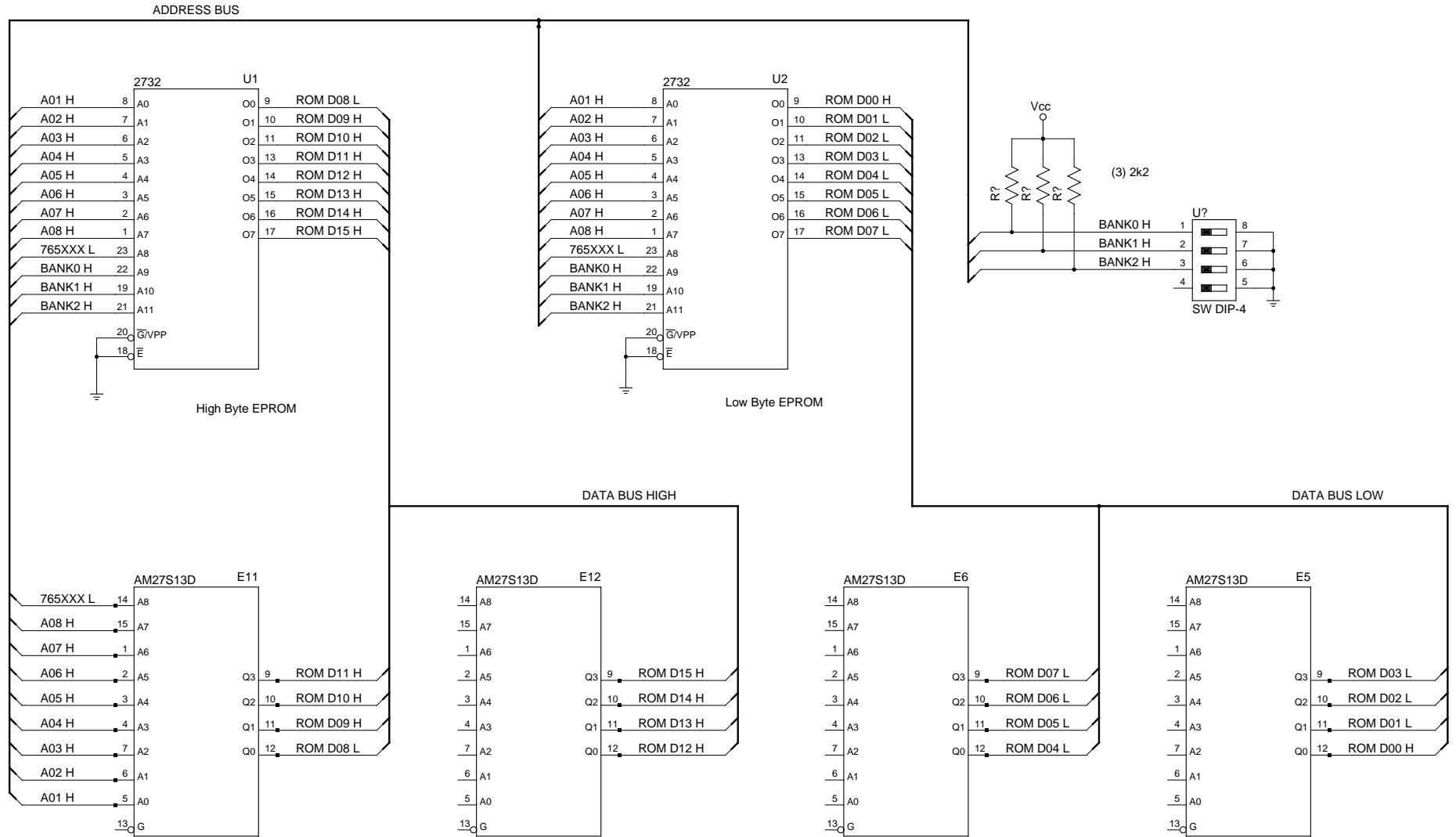


EPROM Adapter for DEC M9301

Bootstrap and Terminator



design by: Charles H. Dickman

date: 02/06/2006

E5, E6, E11, and E12 are not actual components but are IDC DIP plugs.